

5  
12  
15

EQUIP. TYPE *R-390* EXP. NO.

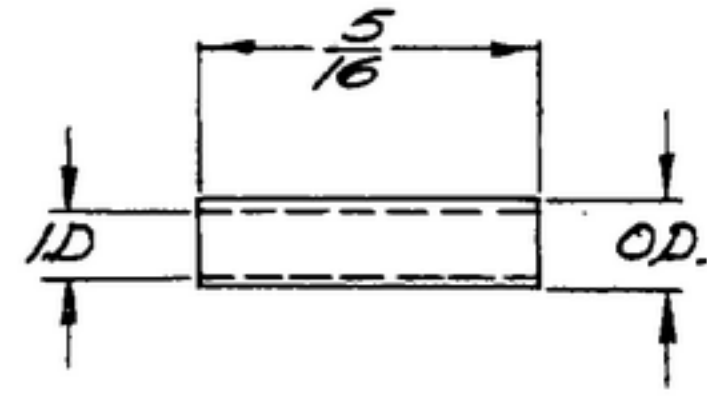
*Col 394 0147, 0148, 0169 00*

NOTICE WHEN GOVERNMENT DRAWINGS, SPECIFICATIONS, OR OTHER DATA ARE USED FOR ANY PURPOSE OTHER THAN IN CONNECTION WITH A DEFINITELY RELATED GOVERNMENT PROCUREMENT OPERATION, THE UNITED STATES GOVERNMENT THEREBY INCURS NO RESPONSIBILITY NOR ANY OBLIGATION WHATSOEVER; AND THE FACT THAT THE GOVERNMENT MAY HAVE FORMULATED, FURNISHED, OR IN ANY WAY SUPPLIED THE SAID DRAWINGS, SPECIFICATIONS, OR OTHER DATA IS NOT TO BE REGARDED BY IMPLICATION OR OTHERWISE AS IN ANY MANNER LICENSING THE HOLDER OR ANY OTHER PERSON OR CORPORATION, OR CONVEYING ANY RIGHTS OR PERMISSION TO MANUFACTURE, USE, OR SELL ANY PATENTED INVENTION THAT MAY IN ANY WAY BE RELATED THERETO.

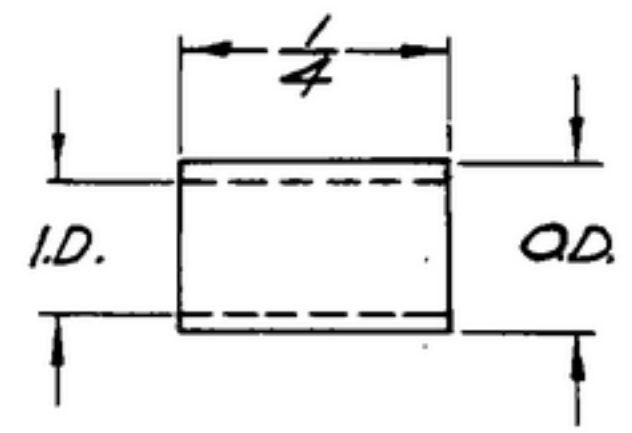
THIS DOCUMENT HAS BEEN PURCHASED BY THE GOVERNMENT AND MAY BE REPRODUCED AND USED IN CONNECTION WITH ANY GOVERNMENT PROCUREMENT OR MAINTENANCE OPERATION.

\* FOR INFORMATION ONLY. CONTRACTOR MAY AT HIS OPTION DEVIATE FROM THESE PROCESS DETAILS.

REVISIONS			
SYM	DESCRIPTION	DATE	APPROVAL



INNER PIECE



OUTER PIECE

COLLINS PART NO.	DASH NO.	MFGR'S RECOMMENDED CAT. NO.	INSTALLING TOOL	DESCRIPTION	ID.	O.D.
559 0204 002	SM-B-249252-1	G5B 058		INNER PIECE	.058	.083
559 0206 002	SM-B-249252-2	G5C 12B	WT 200	OUTER PIECE	.128	.152
559 0205 002	SM-B-249252-3	G5B 063		INNER PIECE	.063	.088

NOTES:  
1. PART MAY BE SUPPLIED BY THE THOMAS & BETTS CO, INC, ELIZABETH, NJ, OR EQUAL, PROVIDING IT MEETS THE FOLLOWING REQUIREMENTS & DIMENSIONS SHOWN.

DESCRIPTION: GROUNDING SHEATH CONNECTORS, TWO PIECE TYPE, FOR TERMINATING SHIELDING.  
MATERIAL: INNER PIECE BRASS OR BRONZE, OUTER PIECE, BRONZE OR COPPER.  
FINISH: M 221 PER SPEC MIL-F-14072

COLLINS PART NO.	ITEM	REQD	PART NO.	DESCRIPTION	MATL	MATL SPEC
LIST OF MATERIAL						
COLLINS PART NO. <i>559-0206-002</i>						

COLLINS NO.	QTY	NEXT ASSY	USED ON
<del>558 0397 004</del>	<del>8</del>	<del>SM-D-249046</del>	
<del>558 0455 004</del>	<del>34</del>	<del>SM-D-249103</del>	
<del>558 0452 005</del>	<del>28</del>	<del>SME-249101</del>	
<del>558 0341 004</del>	<del>16</del>	<del>SM-D-248991</del>	<del>SC-DL-248775</del>

DRAWN: JENNETT  
CHECKED: *[Signature]*  
APPROVED: \_\_\_\_\_

UNLESS OTHERWISE SPECIFIED:  
DECIMAL DIMENSIONS INCLUDING HOLE SIZES MAY VARY ±.005  
FRACTIONAL DIMENSIONS INCLUDING HOLE SIZES MAY VARY ±1/64  
MACHINED ANGLES MAY VARY ±1°  
SHEARED ANGLES MAY VARY ±.25°  
BROKEN ANGLES MAY VARY ±1°  
ECCENTRICITY BETWEEN ANY DIAMETERS ON THE SAME CENTERLINE SHALL NOT EXCEED .010 TOTAL INDICATOR READING.  
ALL DIMENSIONS ARE FINISH DIMENSIONS INCLUDING APPLIED FINISH AND ARE GIVEN IN INCHES.

COLLINS RADIO CO.  
4800 N. RAPIER, IOWA  
1421A - PH -  
51-93  
SIGNAL CORPS  
REVIEWED: PME  
APPROVED: HLY  
PME  
DATE: 16 DEC 56

SHEATH-TERMINATING

DEPARTMENT OF THE ARMY  
SIGNAL CORPS ENGINEERING  
LABORATORIES  
FORT MONMOUTH NEW JERSEY  
SM-B-249252